



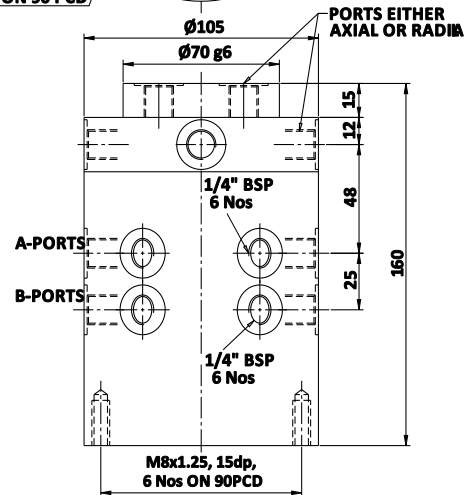
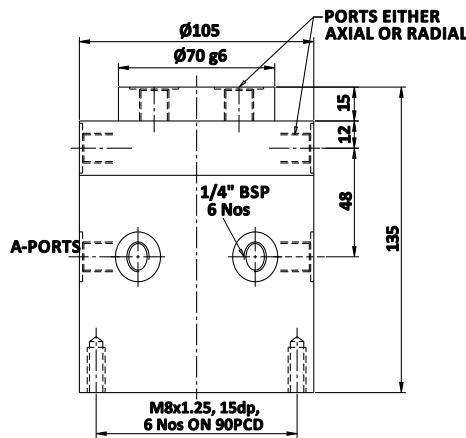
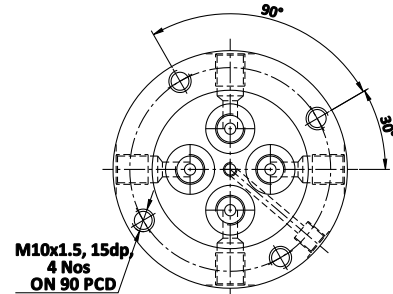
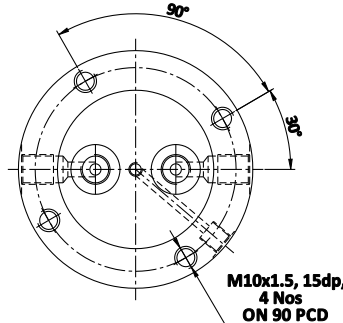
# Hydraulic Rotary Valves

for Single & Double Acting Cylinders



Rotary Valve  
for Single Acting Six Station

Rotary Valve  
for Double Acting Six Station



**Description**

- Rotary valves are used in rotary table arrangements where a number of fixtures have to be supplied with hydraulic pressure. These valves are meant for very low speeds of up to 5rpm. It is necessary that both loading and unloading takes place at the same position and that the fixtures are evenly distributed on the rotary table.

**Features**

- Min. working pressure : 5 kg/cm<sup>2</sup>
- Max. working pressure : 210 kg/cm<sup>2</sup>
- Available for both Single and Double Acting applications.
- Nominal port orifice dia 5mm.

**Important Notes**

- Use only Hydraulic oil
- Use of anti-rotation key is recommended.
- Custom built Rotary Valves can also be supplied.
- External dimensions are the same for all variants.

- All dimensions are in mm
- Overall dimensional tolerance ±0.5 mm

SPECIFICATIONS				
SIZE	No. OF STATIONS	MAXIMUM RPM	WEIGHT (kg)	STANDARD PART No's
1	4	5	1.5	5210-1414
				5210-1424
2	6	5	2.5	5210-1416
				5210-1426
3	8	5	3.5	5210-1418
				5210-1428

Circuit example-6 stations- Single Acting

Circuit example-6 stations - Double Acting

