



Hydro-Pneumatic Intensifiers

Double Acting



Type-1

Type-2



Description

- The Hydro-Pneumatic Intensifier consists of a double acting Pneumatic Cylinder and a high pressure hydraulic chamber. The Pneumatic Cylinder piston rod is forced into the hydraulic chamber resulting in high pressure oil displacement.

Principle

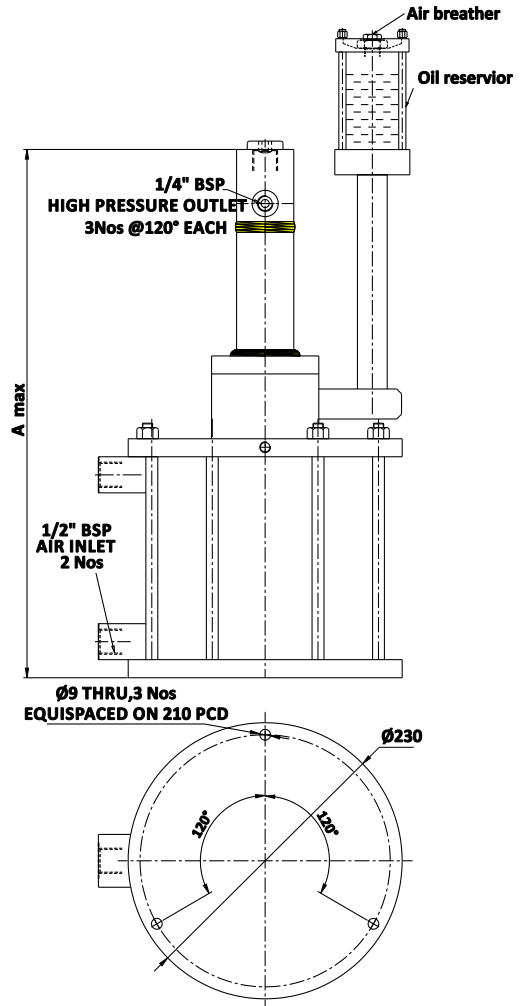
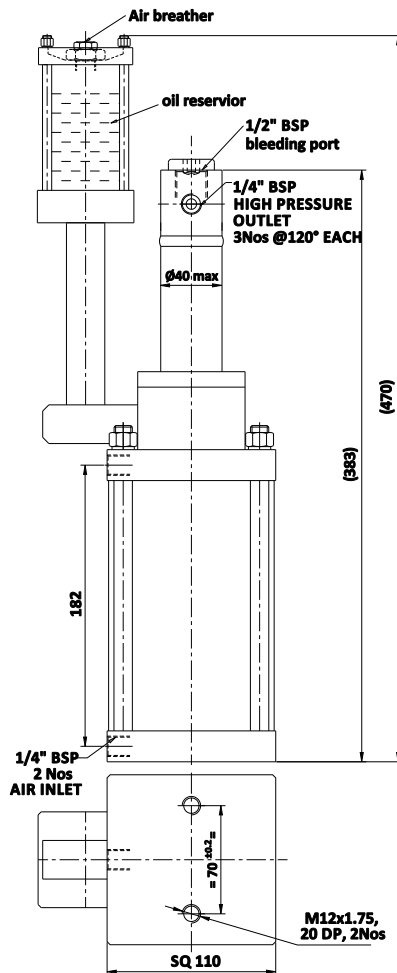
- In the static condition, (Pressure x Area) at air side is equal to (Pressure x Area) at oil side

Operation

- When air is allowed into the positive chamber of the Pneumatic Cylinder, oil on the hydraulic side gets pressurized and is forced out. This oil operates the clamping cylinders. After changing the direction of air the pneumatic piston returns and the job gets declamped.

Important Notes

- Output pressure should not exceed 210 kg/cm²
- This can be used to operate only single acting cylinders.
- For seal kits, add prefix SK to part no.



- All dimensions are in mm
- Overall dimensional tolerance ±0.5 mm

SPECIFICATIONS FOR TYPE-1			
Sl.No.	INTENSIFICATION RATIO	OIL OUTPUT (cc)	STANDARD PART No
1	1:32	26	6110-103

SPECIFICATIONS FOR TYPE-2				
Sl.No.	A	INTENSIFICATION RATIO	OIL OUTPUT (cc)	STANDARD PART No's
1	560	1:64	40	6110-204
2	560	1:40	75	6110-208
3	560	1:28	100	6110-210
4	875	1:40	150	6110-215
5	875	1:28	200	6110-220
6	875	1:15	400	6110-240